

CafeRomantica

NICR8..

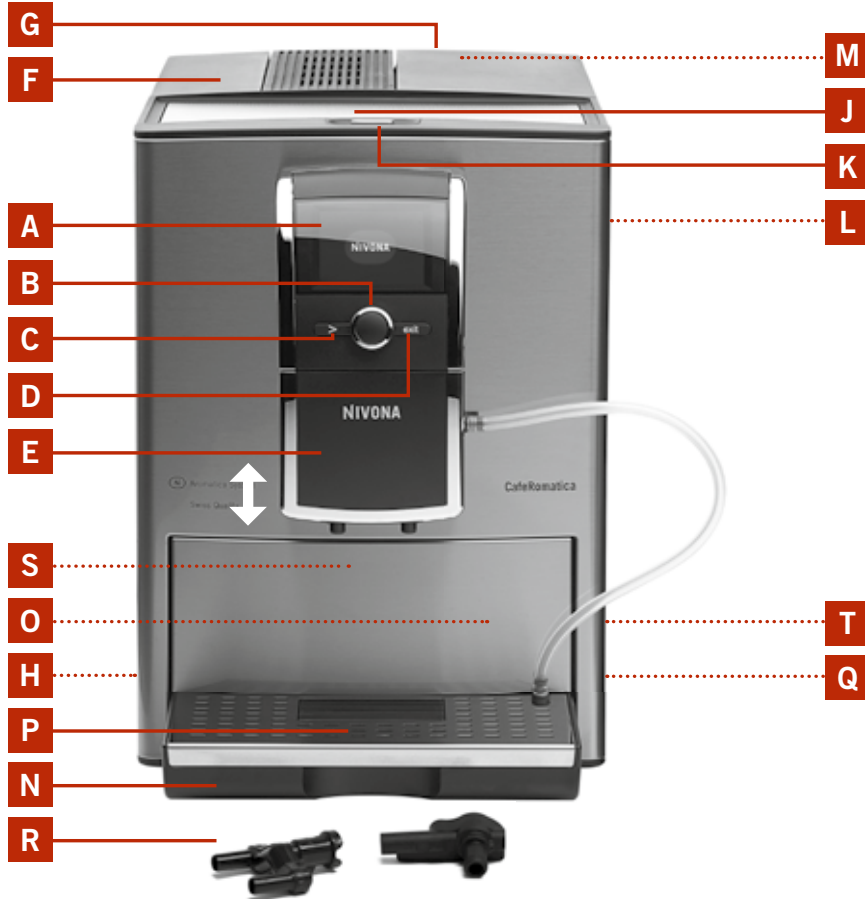
Fully automatic coffee centre
Operating Instructions and Useful Tips



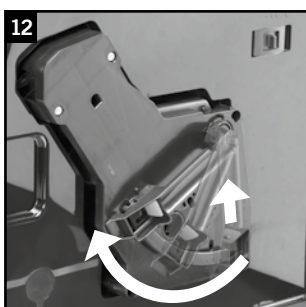
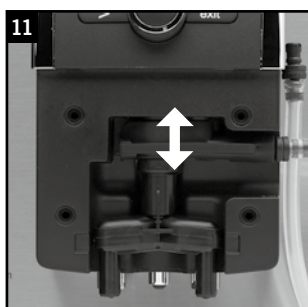
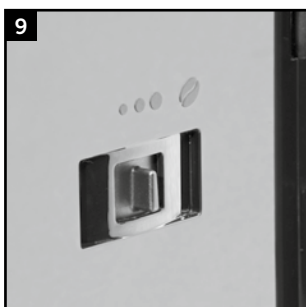
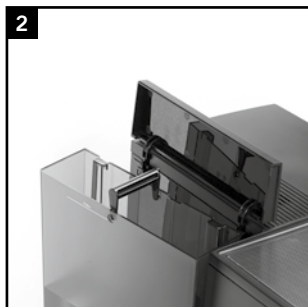
NIVONA

A passion for coffee.

1



- A** Display
(main menu)
- B** Rotary control
- C** Button „>“
- D** Exit button
- E** Height-adjustable coffee spout
- F** Cover for water tank
- G** Cover for coffee bean container
(inside)
- H** On/off switch
- J** Cup rack
- K** Cup heating rack
(859 only)
- L** Service door
- M** Lid of coffee powder chute
(inside)
- N** Drip tray
- O** Used coffee container
(inside)
- P** Cover
- Q** Back rollers
(at the back)
- R** Foaming appliance parts
- S** Type label
(inside, remove drip tray)
- T** Power cord bay
(at the back)



Dear Customer

Congratulations and thank you very much for choosing a quality product by NIVONA.

In order to enjoy your new NIVONA appliance to its best, please read this manual and pay attention to the safety tips before first use.

Please keep this manual safe. You can use it for references and hand it over to a future owner should you ever wish to part with it.

Enjoy your coffee and the top quality appliance by NIVONA.

Purchased at

Location, date

1. SAFETY INFORMATION	67
2. INITIAL START-UP	68
2.1. Getting started	68
2.2. The most important controls	69
2.3. Filling with water and beans	69
2.4. Switching the appliance on and performing initial start	69
2.5. Switching the appliance on during operation	71
2.6. Pre-heating cups (model 859)	71
2.7. ECO mode	71
3. SETTING/ADJUSTING BASIC SETTINGS	72
3.1. Setting the appliance for use with or without filter	72
3.2. Setting water hardness level	72
3.3. Adjusting the temperature	72
3.4. Adjusting the aroma	72
3.5. Select language	73
3.6. Adjusting the times	73
3.7. Setting the automatic cup heating	74
3.8. Setting switch-off rinsing process	74
3.9. Menu display	74
3.10. Reset to factory settings	75
3.11. View statistics	75
4. PREPARING COFFEE VARIETIES	75
4.1. Preparing individual drinks each time	76
4.2. Adjusting standard settings for drinks without milk (ESPRESSO, COFFEE, CAFFÈ AMERICANO)	76
4.3. Adjusting standard settings for drinks with milk (CAPPUCCINO, LATTE MACCHIATO, WARM MILK)	78
4.4. Adjusting standard settings for hot water (e.g. tea)	80
4.5. "My coffee" for me and others with personal settings	81
4.6. Adjusting the coarseness of grinding	82
4.7. Making ground coffee (e.g. for decaffeinated coffee)	82
5. CLEANING AND MAINTENANCE	82
5.1. Rinsing the milk frother	83
5.2. System rinsing	83
5.3. Cleaning frother	83
5.4. System cleaning	84
5.5. Descaling	84
5.6. Regular manual cleaning	86
5.7. Cleaning the brew unit	86
5.8. Changing the filter	86
5.9. Maintenance status	87
6. SYSTEM REPORTS	88
7. PROBLEM SOLVING	89
8. REPLACEMENT PARTS/ACCESSORIES	89
9. CUSTOMER SERVICE, GUARANTEE, ENVIRONMENTAL PROTECTION	90
10. TECHNICAL DATA	91

1. Safety information

- This appliance may only be used for the intended purpose (domestic use only). It is not intended for commercial use (see guarantee). Warranty claims will become void if this appliance is used for other than its intended purpose.
- It is imperative that appliance voltage and mains voltage are identical. Please check the type label/sticker on the appliance (see fig. 1/S).
- Do not use the appliance if the power cable or the casing is damaged. The power cable must never come into contact with any hot surfaces.
- Always pull the plug, not the power cable, when unplugging the appliance from the wall socket.
- Please adhere to the cleaning and decalcifying instructions at all times! Non-compliance will render warranty claims void.
- Please make sure that the appliance is switched off and the mains plug pulled before maintenance and cleaning.
- Place the appliance on a flat and stable surface and only use it indoors. Never place the appliance on hot surfaces or near an open fire.
- This appliance may be used by **children** from the age of eight as well as by persons with reduced physical, sensory or mental capabilities, or lack of experience and knowledge, as long as they are being supervised or have been given instructions for the use of the appliance, hence understanding the possible dangers. **Children** must not play with the appliance. Cleaning and **user maintenance** must not be undertaken by children without supervision.
- The appliance and its mains connections must be kept away from children under the age of eight.
- Unplug from mains if you are away for a few days.
- Do not leave the appliance on unnecessarily. Never immerse the appliance in water.
- Do not put the appliance or any of its parts in the dishwasher. Non-compliance will render warranty claims void.
- If the appliance shows any defect, pull the plug immediately (never tug at the mains cable or the appliance itself).
- Possible damage caused by incorrect, improper use or unqualified repair works will not be subject to liability. In these cases warranty claims become void.

- Please use the integrated coffee grinder for roasted and untreated beans only, never for other foodstuffs! Please make sure there are no foreign substances among the coffee beans - failing this warranty claims will become void.
- If repair services are required, including replacement of the power cord, please first contact your dealer or the service-hotline. Afterwards send the machine to the dealer from whom it was purchased – or to NIVONA national customer services.
- If the appliance's power cable is damaged, it must be replaced by the manufacturer, its customer service or a similarly qualified person to avoid danger.

⚠ Attention: Repairs to electrical appliances must only be undertaken by a professional! Improper repairs may result in severe danger for the user! Should the appliance be used or maintained improperly or incorrect, the warranty shall become void!

⚠ Attention: Using the on/off switch (fig.1/J) during the brewing process may damage the appliance! Turn the appliance off only after it has finished the job.

⚠ Attention: Risk of burning! When drawing steam or hot water, a shot of hot water may spray from the coffee spout. Allow the spout to cool down before you touch it.

2. Initial start-up

2.1. Getting started

→ Unpack the appliance and all items belonging to it with care.

The following are included in the package contents:

- User Manual
- Warranty card
- Measuring spoon with assembly instruction for filter insert
- Two cleaning tabs
- One Claris filter
- One testing strip for water hardness

i Note: In case of customer service being required, the appliance should be shipped in its original packaging. Please keep this safe, including the polystyrene parts.

- Place the appliance on a flat, dry and suitable surface.
- Plug the power cord into a professionally installed mains socket.
- Your appliance has a power cord bay – if the cable is too long, place the excessive length in the power cord bay at the back (fig. 1/T)

2.2. The most important controls

Your NIVONA coffee maker offers a variety of options to brew coffee according to your individual needs. The main controls and how to use them are identical for most of the coffee specialities.

- Rotary-Push-Turn-Switch (short: **rotary control**) (fig. 1/B): By turning the rotary control the set value is altered. By pressing the rotary control the set value is confirmed.
- Button > (fig. 1/C): By pushing button > the menu moves onto the next item.
- **Exit** button (fig. 1/D): By pushing the **exit** button you leave the respective menu and move back one menu level. A coffee making process that has been started can be cancelled by pushing the **exit** button.
- **Height adjustable spout** (fig. 1/E): The spout can be adjusted to the height of your cups and glasses by pushing it up or down.

2.3. Filling with water and beans

- Open the cover on the left (fig. 1/F) and remove the water tank (fig. 2). Clean it with clear, cold tap water.
- Refill the water tank to maximum and insert it back in the appliance. Make sure the tank is safely locked in place.

⚠ Attention: Only use clear, cold water for the water tank! Never use sparkling water or any other liquids! Non-compliance will render warranty claims void.

- Firstly open the appliance cover on the right (fig. 1/G) and then the bean container's cover (fig. 3).
- Fill with untreated, roasted coffee beans only.
- Close both covers again.

⚠ Attention: Never use beans that have been treated during or after roasting with supplements like sugar or similar. This may cause damages to the mill. Resulting repairs are not covered by the warranty.

2.4. Switching appliance on and performing initial start

- Switch the appliance on with the on/off switch (fig. 1/H).

Please set the following basic settings before you start brewing your first coffee:

Setting the language

- Turn the rotary control to select your language.
- Press the rotary control to confirm your setting.

The display will now ask "INSERT FILTER?"

2.4.1. Using the appliance with filter

Included in the box contents is a Claris filter. When using this filter, the appliance needs to be descaled less frequently as it softens the water.

- Turn the rotary control to "INSERT FILTER? YES" for the appliance to recognize that a filter is in use.
- Press the rotary control. The display shows "INSERT FILTER".
- Empty the water tank (fig. 1/F and 2) and carefully screw the filter into the respective slot in the water tank, using the integrated tool at the end of the measuring spoon (fig. 4).

⚠ Attention: Do not overtighten or break.

- Fill the tank with fresh water and insert it back into the appliance.
- Place a sufficiently large bowl (minimum contents 0.5 l) under the spout (fig. 1/E) and press the rotary control.

The system is now being flushed. The display shows "FILTER FLUSHES".

- Wait until no more water emerges from the spout.

The display shows "NIVONA".

Followed by “PLEASE Flush”.

→ Press the rotary control.

The display shows “SYSTEM FLUSHES”.

Once the system has reached operating temperature, the main menu will appear in the display to show that the appliance is ready for use.

The first cup: When you prepare your first cup of coffee the grinder will be empty. It is possible that after the initial grinding the display will show “REFILL BEANS” and no coffee is produced.

→ In case that happens, please follow the display’s instruction and press the rotary control again.

The process will then be repeated.

i Note: If you are using a filter and programmed the system to “FILTER INSERTED? YES”, the internal water softening is automatically set to water hardness level 1! The appliance needs descaling less frequently – but always descale when asked to do so and always with FILTER REMOVED. The filter will be flat after approx. 50 l of water have been drawn (changing filter see chapter 3.1).

⚠ Attention: Even if the display does not indicate “PLEASE CHANGE FILTER”, the filter needs changing after a maximum of two months if the appliance is not used regularly (see chapter 5.8.).

2.4.2. Using the appliance without filter

If you prefer to use the appliance without filter, the filter setting “FILTER INSERTED? NO” needs to be set. This is important because depending on the water hardness the appliance needs to be descaled more often (ex-factory the appliance comes with the setting “FILTER INSERTED? NO!”).

→ Turn the rotary control to “FILTER INSERTED? NO”.

→ Press rotary control to confirm.

The display shows the level of water hardness.

i Note: For production reasons the internal pipes may be empty when setting the appliance up for the first time. The appliance will show this as follows: on the display it says „PLEASE FILL”, once the appliance has been switched on with the On/Off switch (fig. 1/H).

→ Place a sufficiently large bowl (minimum contents 0.5 l) under the spout.

→ Press rotary control.

The system is being filled with water which may emerge from the spout (fig. 1/E).

Once the system has reached production temperature, the display shows “PLEASE RINSE”.

→ Press rotary control.

The system is now being filled with water.

2.4.3. Adjusting the water hardness

Depending on the water hardness in your area, the appliance needs to be descaled every now and again. For the system to be able to indicate that this is necessary, you need to set the correct water hardness **prior to first use**.

Level 3 is the ex-factory pre-set level.

First test the water quality with the enclosed test strip:

→ Dip the test strip into the water and shake it lightly.

→ After about one minute you will be able to read the result by counting the red dots on the test strip.

→ The different levels are listed as follows and can be adjusted:

Test strip / Degree of hardness = Display

1 red dot / 1–7° = LEVEL 1

2 red dots / 8–14° = LEVEL 2

3 red dots / 15–21° = LEVEL 3

4 red dots / >21° = LEVEL 4

i Tip: If the test strip does not show any red dots, please set up level 1.

How to set up the water hardness:

→ Turn the rotary control onto the correct degree of hardness.

→ Press the rotary control to confirm.

The display shows “NIVONA”.

The display shows “PLEASE RINSE”.

→ Press the rotary control. The display shows “SYSTEM IS CLEANING”.

The system is now being filled with water and heated up.

Once the appliance is ready for use the main menu is shown on the display.

The first cup: When you prepare your first cup of coffee the grinder will be empty. It is possible that after the initial grinding the display will show “REFILL BEANS”, and no coffee is produced.

→ Follow the display and press the rotary control again.

The process will then be repeated.

2.5. Switching the appliance on during operation

When you have started the appliance for the first time (fig. 2.4), proceed as follows for all other start-ups:

→ Switch the appliance on using the on/off switch (fig. 1/H).

The display shows “NIVONA, SYSTEM IS HEATING UP”.

Once production temperature has been reached, the display shows “PLEASE RINSE”.

→ Press the rotary control.

The system is now being rinsed. Afterwards the appliance is operational. The display shows the main menu (fig. 1/A).

i Tip: If you do not use the appliance for a prolonged period of time (e.g. holidays), switch it off using the on/off switch (fig. 1/J) and pull the mains plug.

i Tip: The machine has a pre-programmed setting ex-factory for each coffee variety. *This means that you can brew your first coffee straightaway (see chapter 4.).* However, we do recommend making the necessary adjustments according to your preferences before you do so (see chapter 3.)

2.6. Pre-heating cups (model 859)

Your appliance comes with a function for pre-heating cups.

→ Pressing the button (fig. 1/K) activates the cup heating. To do this the on/off switch needs to be switched on (fig. 1/H).

The display shows “CUP HEATING ON”.

→ By pressing the button again (fig. 1/K) the cup heater is switched off.

The display shows “CUP HEATING OFF”.

👍 Tip: Pre-heat the cups according to your personal preference to optimize aroma and temperature.

i Note: If AUTO ON is switched on and you want the cup heating to start automatically, please also set the cup heating on AUTO ON (see 3.6.).

2.7. ECO mode

If neither rotary control nor any button is used for a longer period of time, the appliance automatically switches into ECO mode. The display shows “SAVING ENERGY”.

→ By using the rotary control or any button, the appliance switches back into standard mode.

The display shows the main menu.

3. Setting/adjusting basic settings

i **Note:** The machine has a pre-programmed setting ex-factory for each coffee variety. *This means that you can brew your first coffee straightaway (see 4.). However, we do recommend making the necessary adjustments according to your preferences before you do so.*

- To adjust the basic settings turn the rotary control to “SETTINGS” in the main menu.
- Enter the “SETTINGS” menu by pressing the rotary control.
- Select the menu item that you want to adjust by turning the rotary control.
- Enter the chosen menu item by pressing the rotary control.
- Turning the rotary control adjusts the setting.
- Press the rotary control to confirm the selected setting.
- By pressing the **exit** button you move up one menu level: from the selected setting to “SETTINGS” to the main menu.

3.1. Setting the appliance for use with or without filter

- To adjust the mode turn the rotary control in the main menu to “SETTINGS”.
- Press the rotary control to enter the “SETTINGS” menu.
- Turn the rotary control to “FILTER”.

Using the appliance with filter: please follow the procedure in 2.4.1.

Using the appliance without filter: please follow the procedure in 2.4.2.

- You can adjust the other settings directly from here or leave the menu using the **exit** button.

3.2. Setting water hardness level

- To adjust the water hardness turn the rotary control in the main menu to the “SETTINGS” menu.
- Enter “Settings” by pressing the rotary control.
- Select the menu item “WATER HARDNESS” by turning the rotary control

Then follow the procedure in 2.4.3

- You can adjust the other settings directly from here or leave the menu using the **exit** button.

3.3. Adjusting the temperature

You can adjust the temperature as required to “NORMAL”, “HIGH”, “MAXIMUM” or “INDIVIDUAL”. The ex-factory setting is “HIGH”. If the temperature has been adjusted as outlined below this applies to all coffee varieties.

You can however set the temperature for each coffee variety as “INDIVIDUAL” (see 4. below.) Adjust the temperature settings in the “INDIVIDUAL” menu as follows:

- Turn the rotary control in the main menu to “SETTINGS” and press it.
- Turn the rotary control to “TEMPERATURE” and press it.
- Turn the rotary control to find your preferred temperature.
- Press the rotary control to confirm your setting.

The display now shows all other settings.

- You can adjust the other settings directly from here or leave the menu using the **exit** button.

3.4. Adjusting the aroma

You can select the aroma settings for your coffee according to taste. The menu setting “AROMA” has three pre-set profiles stored. Profile 1 “DYNAMIC” for a dynamic water flow, profile 2 “CONSTANT” for a constant water flow and profile 3 “INTENSE” for a strong water flow. The ex-factory setting is “INDIVIDUAL”, which means you can individually select the aroma setting for each coffee recipe. But if you select profile 1, 2 or 3 here, this setting will then be applied to all coffee specialities.

Tip: Make a coffee and try your preferred aroma profile.

- To change the aroma setting turn the rotary in the main menu to “SETTINGS” and press.

- Turn the rotary to „AROMA“ and press.
- Turn the rotary to the aroma profile of your choice.
- Press the rotary to confirm your setting.
- From here you can change all other settings directly or return to the main menu by selecting “EXIT” and then pressing the rotary to confirm.

3.5. Select language

- To change the language turn the rotary control in the main menu to “SETTINGS”.
- Press the rotary control to enter “SETTINGS”.
- In “SETTINGS” turn the rotary control to “LANGUAGE”.
- Press the rotary control.
- By turning the rotary control you change the language.
- Press the rotary control to confirm the chosen language.
- You can adjust the other settings directly from here or leave the menu using the **exit** button.

3.6. Adjusting the times

3.6.1. Set automatic switch-off time

This function allows you to determine the automatic switch-off time after the last use. The ex-factory setting is after “10 MINUTES”.

- Turn the rotary control to “SETTINGS” and press it.
- Turn the rotary control to “TIMES” and press it.
- Press the rotary control to confirm your choice.

The display shows the available switch-off times.

- Turn the rotary control to set the required switch-off time.
- Drücken Sie den Rotary zur Bestätigung Ihrer Einstellung.

The display shows the other time settings. Your appliance will now automatically shut down after use according to the switch-off time.

- You can adjust the other time settings directly from here or leave the menu using the **exit** button.

3.6.2. Set automatic switch-on time

Your appliance can be set to automatically switch on at a required time; e.g. to be up and running in time for breakfast. How to set the switch-on time:

- Turn the rotary control to “SETTINGS” and press it.
- Turn the rotary control to “TIMES” and press it.
- Turn the rotary control to “APPLIANCE AUTO-ON” and press it.
- Turn the rotary control to “AUTO-ON SETTINGS” and press it.

The display shows the current time of day.

- Turn the rotary control to the actual hour and press it.
- Turn the rotary control to the actual minute and press it.

The time of day is set. The display shows the automatic switch-on time.

⚠ Attention: If the appliance has been taken off the mains or a power cut occurred, the time has to be re-set to use the automatic switch-on time facility.

Once the time has been set, the display shows “APPLIANCE AUTO-ON HOURS”. Set the automatic switch-on time as follows:

- Turn the rotary control to the hour of the automatic switch-on time and and press it.
- Turn the rotary control to the minute of the automatic switch-on time and press it.

The automatic switch-on time is now set and shown in the display.

- If necessary press the **exit** button several times to leave the time menu.

How to switch the automatic switch-on time off:

- Turn the rotary control to “SETTINGS” and press it.
- Turn the rotary control to “TIMES” and press it.
- Turn the rotary control to “APPLIANCE AUTO-ON” and press it.
- Turn the rotary control to “DEACTIVATED” and press it.

The automatic switch-on time is now switched off.

- If necessary press the **exit** button several times to leave the time menu

3.7. Setting the automatic cup heating (model 859)

Using this function the cup heating will be automatically started when the appliance is switched on. If the option “CUP HEATING AUTO-ON” is set jointly with the automatic switch-on time, the cup heating starts when the appliance is switched on. Otherwise the cup heating can be switched on or off manually by button (fig.1/K).

- Turn the rotary control in the main menu to “SETTINGS” and press it.
- Turn the rotary control to “CUP HEATING” and press it.
- Turn the rotary control to “AUTO-ON” and press it.

The display shows the other settings.

- You can adjust the other time settings directly here or leave the menu using the **exit** button.

i Note: If AUTO-on is set, the cup heating starts 30 minutes before the appliance starts.

How to switch the automatic cup heat off:

- Turn the rotary control to “SETTINGS” and press it.
- Turn the rotary control to “CUP HEATING” and press it.
- Turn the rotary control to “MANUALLY ONLY” and press it.

The automatic switch-on is now turned off.

- Return to the main menu with the exit button.

3.8. Setting switch-off rinsing process

Ex-factory the automatic switch-on rinsing function is permanently installed. Every time the appliance is switched on after an inactive state, it will heat the water up and ask for a rinse to ensure that fresh water is always used. This request is shown in the display and needs to be started manually by pressing the rotary control.

Ex-factory the switch-off rinsing is set on “ON”.

Optionally the automatic switch-off rinsing function can be deactivated after the appliance has been switched off:

- Turn the rotary control to “SETTINGS” and press it.
- Turn the rotary control to “SWITCH-OFF RINSING” and press it.
- Turn the rotary control to “ON” or “OFF” and press it.

The display shows the other optional settings.

- You can adjust the other time settings directly here or leave the menu using the **exit** button.

i Note: Even if the switch-off rinse is set on “ON”, it will only be executed if at least one drink has been prepared.

3.9. Menu display

You can select large or small icons for main menu.

- Turn the rotary to “SETTINGS” and press.
- Turn the rotary to “MENU DISPLAY” and press.
- Turn the rotary left or right for smaller or larger icons to be displayed.
- Press rotary to finish.

The display shows the other settings.

- From here you can continue programming the other settings or leave the setting by pressing “EXIT”.

3.10. Reset to factory settings

All changes made in the settings 3.1. to 3.7. and all recipes (see 4.) can be reset to the factory settings.

- Turn the rotary control to “SETTINGS” and press it.
- Turn the rotary control to “FACTORY SETTINGS” and press it.
- Turn the rotary control to “RESET RECIPES” or “RESET SETTINGS”.
- Press the rotary control to confirm.

The display shows the other optional settings.

- You can adjust the other time settings directly here or leave the menu using the **exit** button.

3.11. View statistics

The menu item “STATISTICS” details how many drinks and functions have been prepared/used set since the appliance’s initial startup.

- Turn the rotary control to “SETTINGS” and press it.
- Turn the rotary control to “STATISTICS” and press it.
- Turn the rotary control to view the statistics available.
- To close press the rotary control.

The display shows the other settings.

- You can adjust the other time settings directly here or leave the menu using the **exit** button.

4. Preparing coffee varieties

Your NIVONA appliance offers a variety of options to prepare coffee according to your individual taste. The most important control elements and their basic functions are generally identical:

- **Rotary control** (fig. 1/B): By turning the rotary control the setting is changed. Pressing the rotary control confirms the chosen setting.
- **Button >** (fig. 1/C): By pressing the button > you will move forward to the next menu item.
- **Exit button** (fig. 1/D): By pressing the **exit** button you will leave the menu and go back one menu item. If a drink is already being prepared, the process will be stopped.
- **Height adjustable spout** (fig. 1/B): By pushing it up or down you can adjust the drain to the height of your cups or glasses.

The selected coffee variety is shown in the display with a symbol and in cleartext, e.g. “ESPRESSO”.

- By turning the rotary control you select the required coffee variety.

i Note: The display shows the chosen coffee variety's current settings below the bar in the bottom line.

Each coffee variety can be made in two separate ways:

- a) Either you change the personal setting **for each coffee individually** as outlined in 4.1. In this case **the standard settings are preserved**.
- b) Or you adopt the standard settings from “DRINKS RECIPES” in the “SETTINGS” menu. Pre-settings have been recorded ex-factory; outlined from 4.2. to 4.5. you can adjust them in line with your personal preference.

The first cup: When making your first coffee, the grinder box is still empty. It can therefore happen that the display will show “FILL BEANS” after the first grinding and the appliance will not make any coffee.

- Follow the instructions on the display and press the rotary control again.

The process will be repeated.

Special requirements when preparing two cups:

- To brew two cups one directly after the other press the rotary control twice in quick succession to start the process.

When brewing two cups at the same time, the grinder will automatically do two rounds. In case there is not enough water, the bean container runs empty or the trays need emptying during the two grinding cycles, the respective symbols will show on the display. In that case the second cup will not be brewed.

- Follow the display and press the rotary control **only** once for the second cup.

4.1. Preparing individual drinks each time

Regardless of the standard setting in the menu item “SETTINGS”, “DRINKS RECIPES” each brewing process can be customised.

- Turn the rotary control in the main menu to your preferred drink option (e.g. “LATTE MACCHIATO”).
- Press button > (fig. 1/C) until the blinking bean symbol indicates that you can change the aroma.
- While the symbol is blinking, turn the rotary control onto the requested setting.

Do you want to change other parameters like the quantity or the number of cups?

- Press button > (fig. 1/C) until the requested setting appears.
- Während das Symbol blinkt, drehen Sie den Rotary auf Ihre gewünschte Einstellung.
- The new settings are stored when you press the **exit** button or if you do not carry out any further changes.

i Note: Be mindful if you brew one or two cups and place the cups accordingly under the spout (fig. 5 and 6).

- Start the brewing process by pressing the rotary control.

i Note: Should you have initiated the brewing process incidentally or too early, it is possible to change a few parameters while making the coffee. A blinking display will show you which.

- With the symbol blinking, turn the rotary control onto the required setting.

After the bean symbol for the aroma, the blinking display now shows the ml-indicator for the capacity.

You can alter those any given time.

- If you want to stop the process, simply press the **exit** button (fig. 1/D).

4.2. Adjusting standard settings for drinks without milk (ESPRESSO, COFFEE, CAFFÈ AMERICANO)

The standard ex-factory setting is

- for espresso: strength standard, quantity 40 ml, aroma profile 3, the display shows “ooo 40ml III”
- for coffee: strength standard, quantity 120 ml, aroma profile 1, the display shows “ooo 120ml I”
- for Caffè Americano: Strength standard, quantity 180 ml, aroma profile 2, the display shows “ooo 120ml II”.

- Place a cup underneath the spout (fig. 5).
- Turn the rotary control to the drink of your choice (e.g. Espresso). Press the rotary control.

The cup light switches on. The appliance prepares a cup of your chosen drink in the standard setting.

Brewing two cups

- To brew two cups one directly after the other, press the rotary control twice in quick succession to start the process.

The standard setting can be altered in two different ways:

4.2.1. Live programming

You can change and save the standard setting during the brewing process as follows.

- Turn the rotary control in the main menu to “SETTINGS” and press it.
- Turn the rotary control to “DRINK RECIPES” and press it.
- Turn the rotary control to the drink of your choice (e.g. “ESPRESSO”) and press it.
- Turn the rotary control to “LIVE PROGRAMMING”.
- To change the standard setting press the rotary control.

The display shows “SELECT STRENGTH”.

- Turn the rotary to select the strength of your choice (left for weaker, right for increased strength).
- Press the rotary to confirm your selected strength.

The display shows “SELECT AROMA”

- Turn the rotary to select the aroma profile of your choice (see 3.4. for details).
- Press the rotary to confirm your selected aroma.

The display shows “PLEASE WAIT”. The appliance grinds, heats up and then starts the preparation.

The display shows “STOP COFFEE?”

- Press the rotary control when the required amount of coffee is reached.

The standard setting for the drink of your choice (e.g. Espresso) has now been altered and saved. The display shows “RECIPE SAVED” for a short time and will then switch back to the main menu with the new standard settings.

4.2.2. Manual programming

You can also change and save the standard settings manually.

- Turn the rotary control to “SETTINGS” and press it.
- Turn the rotary control to “DRINK RECIPES” and press it.
- Turn the rotary control to the drink of your choice (e.g. “ESPRESSO”) and press it.

Select strength

- Turn the rotary to select “STRENGTH” and press.
- Turn the rotary to select the strength of your choice (left for weaker, right for stronger). Press the rotary to confirm the setting.

Select aroma

- Turn the rotary to “AROMA” and press.
- Turn the rotary to select the aroma profile of your choice (see 3.4. for details). Press the rotary to confirm your selected aroma. Press the rotary to confirm your selected aroma.

Select preparation method (cappuccino)

- Turn the rotary to “PREPARATION” and press.
- Turn the rotary to the preparation method of your choice.

In the MILK → COFFEE setting milk froth is prepared first, and then the coffee. The setting COFFEE → MILK prepares coffee first.

👍 Tip: Try the different preparations methods to find your personal favourite.

- Press the rotary to confirm your setting.

Select quantity

- Turn the rotary control to “COFFEE QUANTITY” and press it.
- Turn the rotary control to select the quantity of your choice (from 20ml to 240ml) and press it.

i Note: Make sure that your cups fit.

Select temperature

(if “TEMPERATURE”, see 3.3. “INDIVIDUAL” is set in the menu “SETTINGS”)

- Turn the rotary control to “TEMPERATURE” and press it.
- Turn the rotary control the temperature of your choice (STANDARD, HIGH, MAXIMUM) and press it to confirm the setting.
- To exit a menu level turn the rotary control to “EXIT” in each level. Then press the rotary control. Or press the **exit** button.
- Repeat until you are back in the main menu.

i **Note:** If no changes are made to the settings for some time, the appliance switches back to the main menu automatically.

4.3. Adjusting standard settings for drinks with milk (CAPPUCCINO, LATTE MACCHIATO, WARM MILK)

The standard ex-factory setting is:

- for cappuccino: strength standard, quantity 200 ml, aroma profile 2, the display shows “ooo 200 ml II”
- for latte macchiato: strength standard, quantity 300 ml, aroma profile 2, the display shows “ooo 300 ml II”
- for warm milk: quantity 150 ml, the display shows “150 ml”.

Using the frother you can draw milk directly from the carton or any other container and pour it directly into a cup or glass.

- Connect the suction hose to the height-adjustable spout (fig.7).
- Connect the other end of the hose to the Milk Cooler (Accessories NICT 500), or immerse it straight into the carton or another container.

⚠ Attention: Dried milk residue is difficult to remove. Please clean thoroughly as soon as it has cooled off! Always follow the display instruction “CLEAN FROTHER”.

- Place a cup or a glass under the spout (fig. 5).
- Turn the rotary control to the drink of your choice (e.g. “LATTE MACCHIATO”) and press it.

The cup light switches on. The appliance is preparing a cup or glass of the selected drink in the standard setting.

Brewing two cups:

- To brew two cups one directly after the other, press the rotary control twice in quick succession to start the process.

The standard setting can be altered in two different ways:

4.3.1. Live programming

You can change and save the standard setting during the brewing process as follows.

- Turn the rotary control to “SETTINGS” and press it.
- Turn the rotary control to “DRINK RECIPES” and press it.
- Turn the rotary control to the drink of your choice (e.g. “LATTE MACCHIATO”) and press it.
- Turn the rotary control to “LIVE PROGRAMMING”.
- To change the standard setting press the rotary control.

Cappuccino and latte macchiato:

The display shows “SELECT STRENGTH”.

- Turn the rotary to select the strength of your choice (left for weaker, right for stronger).
- Press the rotary to confirm your setting.

The display shows “SELECT AROMA”.

- Turn the rotary to select the aroma of your choice (see 3.4. for details of the aroma profiles).
- Press the rotary to confirm your setting.

The display shows “PLEASE WAIT”. The appliance heats up and will start the preparation.

Latte Macchiato and warm milk:

To begin with the milk is being prepared.

The display shows “STOP MILK?”

- Press the rotary control when the required amount of milk is reached.

All drinks with milk:

Next the froth is being made.

The display shows “STOP FROTH?”

- Press the rotary control when the required quantity of froth is reached.

Cappuccino and latte macchiato:

Finally the coffee is being brewed.

The display shows “STOP COFFEE?”

- Press the rotary control when the required quantity of coffee is reached.

The standard setting for the drink of your choice (e.g. latte macchiato) has now been altered and saved. The display shows “RECIPE SAVED” for a short time and will then switch back to the main menu with the new standard settings.

4.3.2. Manual programming

You can also change and save the standard settings manually as follows.

- Turn the rotary control to “SETTINGS” and press it.
- Turn the rotary control to “DRINK RECIPES” and press it.
- Turn the rotary control to the drink of your choice (e.g. “LATTE MACCHIATO”) and press it.

Select strength (cappuccino and latte macchiato)

- Turn the rotary to “STRENGTH” and press.
- Turn the rotary to the strength of your choice (left for weaker, right for stronger) and press to confirm your setting.

Select aroma (cappuccino and latte macchiato)

- Turn the rotary to “STRENGTH” and press.
- Turn the rotary to the aroma of your choice (see 3.4. for details of the aroma profiles) and press to confirm your setting.

Select preparation (cappuccino and caffè latte)

- Turn the rotary to “PREPARATION” and press.
- Turn the rotary to the preparation method of your choice.

In the MILK → COFFEE setting milk froth is prepared first, and then the coffee. The setting COFFEE → MILK prepares coffee first.

👍 Tip: Try the different preparation methods to find your personal favourite.

Press the rotary to confirm your setting.

Select coffee quantity (cappuccino and latte macchiato)

- Turn the rotary control to “COFFEE QUANTITY” and press it.
- Turn the rotary control to select the quantity of your choice and press it.

i **Note:** Make sure that your cups or glasses fit.

Select milk quantity (latte macchiato and warm milk)

- Turn the rotary control to “MILK QUANTITY” and press it.
- Turn the rotary control to select the quantity of your choice and press it.

i Note: Make sure that your cups or glasses fit.

Select froth quantity (all drinks with milk)

- Turn the rotary control to “FROTH QUANTITY” and press it.
- Turn the rotary control to select the quantity of your choice and press it.

i Note: Make sure that your cups or glasses fit.

Select temperature

(if “TEMPERATURE”, see 3.3. “INDIVIDUAL” is set in the menu “SETTINGS”)

- Turn the rotary control to “TEMPERATURE” and press it.
- Turn the rotary control the temperature of your choice (STANDARD, HIGH, MAXIMUM) and press the rotary control to confirm the setting.
- To exit a menu level turn the rotary control to “EXIT” in each level. Then press the rotary control. Or press the **exit** button.
- Repeat until you are back in the main menu.

i Note: If no changes are made to the settings for some time, the appliance switches back to the main menu automatically.

4.4. Adjusting standard settings for hot water (e.g. tea)

Ex-factory the standard setting for hot water is 150ml.

The display shows: “150ml”

- Place a cup under the spout (fig. 5).
- Turn the rotary control to “HOT WATER” and press it.

The cup light switches on. The appliance prepares hot water in the standard setting.

The standard setting can be altered in two different ways:

4.4.1. Live programming

You can change and save the standard setting during the brewing process as follows.

- Turn the rotary control to “SETTINGS” and press it.
- Turn the rotary control to “DRINK RECIPES” and press it.
- Turn the rotary control to “HOT Water” and press it.
- Turn the rotary control to “LIVE PROGRAMMING”.
- To change the standard setting now press the rotary control.

The display shows “PLEASE WAIT”. The appliance heats up and will start the preparation.

The display shows “STOP HOT WATER?”

- Press the rotary control when the required quantity of hot water is reached.

The standard setting has now been altered and saved. The display shows “RECIPE SAVED” for a short time and will then switch back to the main menu with the new standard settings.

4.4.2. Manual programming

You can also change and save the standard settings manually.

- Turn the rotary control to “SETTINGS” and press it.
- Turn the rotary control to “DRINK RECIPES” and press it..
- Turn the rotary control to “HOT WATER” and press it.

Select water quantity

- Turn the rotary control to “WATER QUANTITY” and press it.

- Turn the rotary control to select the quantity of your choice (from 50ml to 500ml). Press the rotary control to confirm the setting.

i Note: Make sure that your cups or glasses fit.

Select temperature

(if “TEMPERATURE”, see 3.3. “INDIVIDUAL” is set in the menu “SETTINGS”)

- Turn the rotary control to “TEMPERATURE” and press it.
- Turn the rotary control the temperature of your choice (STANDARD, HIGH, MAXIMUM) and press the rotary control to confirm the setting.
- To exit a menu level turn the rotary control to “EXIT” in each level. Then press the rotary control. Or press the **exit** button.
- Repeat until you are back in the main menu.

i Note: If no changes are made to the settings for some time, the appliance switches back to the main menu automatically.

4.5. “My coffee” for me and others with personal settings

Your appliance can store coffee settings for up to up to 9 different persons or drink varieties.

The ex-factory setting for a coffee without milk is the standard setting “MY COFFEE”: strength standard, quantity 120 ml, aroma profile 2.

The display shows: “ooo 120 ml II”.

You can change the standard setting manually as follows.

- Turn the rotary control to “SETTINGS” and press it.
- Turn the rotary control to “DRINK RECIPES” and press it.
- Turn the rotary control to “MY COFFEE” and press it.

You can now alter an existing recipe or create a new one.

4.5.1. Adjust recipe

- Turn the rotary control to “EDIT” and press it.
- Turn the rotary control to the recipe that you wish to adjust. Ex-factory only one recipe is set under “MY COFFEE”. Press the rotary control.

Under menu item “CHANGE RECIPE” change the settings by following 4.2. to 4.4.

Menu item “CHANGE NAME” allows you to store each recipe under a specific name (e.g. of your of family members).

- Turn the rotary control to the letter or symbol of your choice. Press the rotary control to enter the chosen letter or figure.
- Repeat until the name of the recipe is completed.
- Turn the rotary control to “SELECT ICON” (third last icon in bottom line) to link your recipe to an icon in the display. Press the rotary control.
- Turn the rotary control to an icon of your choice and press it.
- To finish the process turn the rotary control to “CONFIRM” (second to last icon in bottom line) and press it.

By pressing “DELETE” the chosen recipe is deleted.

4.5.2. Create a new recipe

- Turn the rotary control to “ADD” and press it.
- Turn the rotary control to the drink of your choice and press it.

The appliance is adopting all settings for the drink of your choice from the main menu.

By following 4.2. to 4.4. you can now change the recipe and then store it under a new name (e.g. of your family members) as described in 4.5.1.

4.6. Adjusting the coarseness of grinding

⚠ Attention: Only adjust the grinding coarseness whilst the grinder is running.

You can adjust the grinder according to the particular blend of bean. We suggest the grinder is kept on a medium setting.

To change the coarseness of the grinding, please follow these steps:

→ Open the service door on the right of the casing (fig. 1/L).

The grinding coarseness control is at the top right (fig. 9).

→ Place a cup under the spout

→ Turn the rotary control to “ESPRESSO” and press it.

→ **While the grinder is grinding**, change the coarseness of grinding by moving the control (fig. 9).

The smaller the dot, the finer the coffee powder will be. Please note:

- A light roast level needs finer grinding adjustment (control further to the left).
- A dark roast level requires coarser grinding adjustment (control further to the right).

Check out for yourself the best setting according to your personal taste.

→ Close the service door and in doing so carefully place the pivots at the back of the service door into the notches. Make sure that the door completely snaps back into place.

4.7. Making ground coffee (e.g. for decaffeinated coffee)

→ Open the lid on the right of the appliance (fig. 1/G)

→ Open the lid of the coffee powder chute (fig. 1/M).

The display shows “INSERT GROUND COFFEE”.

→ Pour in one level measuring spoon of ground coffee and close the lid. The display shows “GROUND COFFEE READY”.

→ Place a cup under the spout (fig. 5).

→ Turn the rotary control to the drink of your choice.

→ Press the button > until the ml-display is blinking.

→ While “ml” blinks, turn the rotary control to the required quantity.

→ The new setting is stored when you press the exit button or if you do not carry out any further changes.

→ Press the rotary control to start the preparation.

i Note: Should you have started the process accidentally or too early, you can also change the quantity during the preparation.

→ When the “ml” display is blinking, turn the rotary control to the required position.

→ If you want to stop the process, press **exit** button (fig. 1/D).

i Note: If you have opened the lid of the coffee powder chute accidentally or did not press the rotary control after having poured in the ground coffee, the appliance will automatically start rinsing for a minute once the lid is closed (fig. 1/E). The appliance will then be operational again.

⚠ Attention: The coffee powder chute is not a storage container. Therefore never pour in more than one portion of coffee and only use fresh or vacuum-packed coffee ground from coffee beans. Do not use water-soluble instant coffee!

5. Cleaning and maintenance

Your Nivona appliance will show some maintenance requirements on the display (e.g. PLEASE CLEAN FROTHER”).

→ If cleaning or maintenance is required and the large icons are set in the main menu turn the rotary to the “hand symbol”; if the small icons are set turn the rotary until the required maintenance task shows up in the main menu. Then press the rotary.

Your appliance will start the respective cleaning or maintenance programme and will ask you in the display for further steps.

→ Follow the instructions on the display. If in doubt go to 5.1. to 5.9. for more details.

5.1. Rinsing the milk frother

⚠ Note: Do not disrupt the running program!

We advise you to rinse the frother after each drink for which milk was used, it should definitely be rinsed when the display asks you to do so.

→ Turn the rotary control to “MAINTENANCE” and press it.

→ Turn the rotary control to “RINSE FROTHER” and press it.

The display shows “CONNECT HOSE TO SPOUT AND DRIP TRAY”.

→ Connect the hose to the spout (fig. 7).

→ Connect the other end to the back of the drip tray (fig. 10).

→ Place a sufficiently large bowl (about 0.5 l) under the spout.

→ Press rotary control.

The display shows “RINSING FROTHER, DO NOT REMOVE HOSE”. The appliance then starts the cleaning process. Once the process is finished the appliance reheats and is ready for use. The display shows the main menu.

5.2. System rinsing

From time to time the system should be rinsed. Proceed as follows:

→ Turn the rotary control to “MAINTENANCE” and press it.

→ Turn the rotary control to “SYSTEM RINSING” and press it.

The display shows “RINSING SYSTEM”.

Once the process is finished, the appliance reheats and is ready for use. The display shows the main menu.

5.3. Cleaning frother

⚠ Attention: Do not disrupt the running program!

i Note: The display shows “PLEASE CLEAN FROTHER” when it is required.

Proceed as follows:

→ Turn the rotary control to “MAINTENANCE” and press it.

→ Turn the rotary control to “CLEAN FROTHER”.

The display shows “EMPTY TRAYS” and “FILL WATER” alternately.

→ Remove drip tray with used coffee container (fig. 1/N and 1/O) and empty both.

→ If necessary refill the water tank with fresh water. Reinsert the water tank first, followed by drip tray and used coffee container.

The display shows “CONNECT HOSE TO SPOUT AND IN CLEANER”.

→ Connect the hose to the spout (fig. 7).

→ Put some detergent (available as an optional accessory, see 8.) and water in a container, both should amount to 0,3l. For the correct mix refer to instructions by the detergent’s manufacturer.

→ Dip the other end of the hose into the cleaning solution

→ Place a sufficiently large bowl (minimum contents 0.5 l) under the spout.

→ Press the rotary control.

The display shows “START CLEANING”.

→ Press the rotary control.

The cleaning process is started. The display shows “CLEANING FROTHER. DO NOT REMOVE

HOSE”.

After a short while the display shows “CONNECT HOSE TO SPOUT AND DRIP TRAY”.

- Connect the hose to the spout (fig. 7) and the other end to the drip tray (fig. 10).
- Press the rotary control.

The display shows “CLEANING FROTHER, DO NOT REMOVE HOSE”.

Once the cleaning cycle is finished, the appliance starts heating up and is again ready for use. is complete.

- Empty the drip tray and used coffee container (fig. 1/N and 1/O) and re-insert them cleaned.

The display shows the main menu.

5.4. System cleaning

i **Note: If the appliance needs cleaning, the display will show “PLEASE CLEAN SYSTEM”. You can continue making coffee, but we recommend starting the cleaning program as soon as possible. Otherwise the function might be impaired and your warranty could be compromised.**

⚠ Attention: Do not disrupt the cleaning process. Insert cleaning tab only if the appliance asks for it.

- Turn the rotary control to “MAINTENANCE” and press it.
- Turn the rotary control to “CLEAN SYSTEM” and press it.

The display shows “EMPTY TRAYS” and “FILL WATER” alternately.

- Remove drip tray and used coffee container (fig. 1/N and 1/O) and empty both.
- If necessary refill the water tank with fresh water. Reinsert the water tank first, followed by drip tray and used coffee container.

The appliance rinses twice and the display shows “CLEANING SYSTEM”.

The display shows “CLEANING TAB IN GROUND COFFEE CHUTE”.

- Place a sufficiently large bowl (minimum contents 0.5 l) under the spout (fig. 1/E).
- Open the lid on the right hand side of the appliance (fig. 1/G).
- Open the lid of coffee powder chute (fig. 1/M).
- Place a cleaning tab in the chute and close both lids.

The display shows “START CLEANING”.

- Press the rotary control to confirm.

The appliance starts the cleaning process. The display shows “CLEANING SYSTEM”. The fully automated process takes approximately 10 minutes.

i **Note: Should a message appear during the cleaning process, follow the indicated steps. The appliance will continue with the cleaning automatically afterwards.**

Once the process is finished, the display shows “EMPTY TRAYS”

- Remove drip tray with used coffee container (fig. 1/N and 1/O), empty both and reinsert them.
- If necessary refill the water tank with fresh water. Reinsert the water tank first, followed by drip tray and used coffee container.

The appliance rinses, reheats and is ready for use after that. The display shows the main menu.

5.5. Descaling

If the appliance needs descaling, the display shows “PLEASE DESCALE SYSTEM”.

You can also start the descaling programme any time manually.

⚠ Attention: Please make sure to follow each step exactly as outlined below! You can continue making coffee, but we recommend starting the descaling program as soon as possible. Otherwise the function might be impaired and your warranty could be compromised.

⚠ Attention: Do not disrupt the descaling program. Never use vinegar or vinegar-based agents, only standard liquid products specifically recommended for automatic coffee machines.

⚠ Attention: Before starting the descaling program remove the filter from the water tank.

- Turn the rotary control to “MAINTENANCE” and press it.
- Turn the rotary control to “DESCALING SYSTEM” and press to confirm.

The display shows “EMPTY TRAYS”.

- Remove drip tray with used coffee container (fig. 1/N and 1/O), and empty both.
- Reinsert drip tray and used coffee container.

The display shows “REMOVE WATER TANK”.

- Remove the water tank

The display shows “FILL WATER TANK TO 0,5l MARK” and “INSERT DESCALER TO TANK” alternately.

- Remove the filter. Fill the water tank to the 0,5 l mark with fresh water and reinsert it.

⚠ Attention: Always add the water first to the 0,5 l mark and then the descaling agent. Never vice versa! Please follow the manufacturer's advice how to use the descaler.

- Only now add the descaler.

The display shows “CONNECT HOSE TO SPOUT AND DRIP TRAY”.

- Connect one end of the hose to the spout (fig. 7).
- Connect the other end to the drip tray (fig. 10).
- Press the rotary control.

The display shows “START DESCALING”.

- Place a sufficiently large bowl (minimum contents 0.5 l) under the spout (fig. 1/E).
- Press the rotary control.

The descaling process starts. The display shows “SYSTEM DESCALING”. The descaling process is automatic and takes approximately 30 minutes. The descaling solution is transported through the system in intervals.

Once the cycle is completed, the display shows “EMPTY TRAYS”.

- Remove drip tray with used coffee container (fig. 1/N and 1/O) and empty both.
- Reinsert drip tray and used coffee container.
- Remove water tank and rinse it with fresh water.
- Reinsert filter in the water tank if required.
- Fill the water tank with fresh water and reinsert it.

The display shows “CONNECT HOSE TO SPOUT AND DRIP TRAY”.

- Connect the hose with one end to the spout (fig. 7).
- Connect the other end to the drip tray (fig. 10).
- Place a sufficiently large bowl (about 0.5 l) under the spout.
- Press the rotary control.

The display shows “PLEASE RINSE”.

- Press the rotary control to start rinsing process.

The display shows “SYSTEM RINSING, DO NOT REMOVE HOSE”. The automatic cleaning process is started that lasts for approximately two minutes. Once the cycle is finished, the display shows “EMPTY TRAYS”.

- Empty drip tray and used coffee container (fig. 1/N and 1/O) and reinsert both.

The appliance reheats and is ready for use. The display shows the main menu.

⚠ Attention: Please remove any descaler residues on the casing immediately with a damp cloth.

5.6. Regular manual cleaning

i Note: Please follow these cleaning instructions. Working with foodstuffs demands the highest degree of cleanliness.

⚠ Attention: Never immerse the appliance in water! Do not use abrasive cleaning agents.

- Use a soft, damp cloth for cleaning the casing inside and out.
- Empty drip tray (fig. 1/N) and used coffee container (fig. 1/O) at the latest when this is indicated on the display (only when the appliance is switched on!).

i Note: Make sure when cleaning the drip tray (fig. 1/N) that both metal contacts at the back are clean and dry! Use a little detergent every now and again.

- The water tank should be rinsed daily with clear water and then be re-filled daily with fresh cool water.

i Note: Dried milk residue is difficult to remove.

- Therefore clean frother, hose and spout regularly.

i Tip: From time to time (ideally each time the appliance will not be used for a while, at any rate in regular intervals!) the frother needs to be completely dismantled and thoroughly cleaned under running water.

- Remove the panel from the spout (fig. 1/P).
- Pull the frother down and out (fig. 11) and dismantle it completely (fig. 1/R).
- Reinsert the assembled frother into the spout (fig. 11).
- Replace the cover (fig. 1/P).

i Tip: Your appliance is equipped with back rollers (fig. 1/Q), which allows you to move the appliance on a flat working top. This way, you can also clean the space underneath the appliance.

5.7. Cleaning the brew unit

⚠ Attention: Remove the brew unit only when the appliance is switched off.

⚠ Attention: Please clean the brew unit regularly, for instance after each cleaning programme, but at least once a month. Otherwise your warranty could be compromised.

When necessary the brew unit can be removed and cleaned under cold, running water. Never use any cleaning agent, but clear, cold water only! For hygienic reasons we recommend the removal and cleaning of the unit thoroughly after each run of the cleaning program (see 5.4.).

- Open the service door on the right of the casing (fig. 1/L) towards you.
- Remove the brew unit by pressing the red switch and turning the handle all the way to the left until it snaps into place (fig. 12).
- Carefully remove the brew unit using the handle.
- Clean the brew unit under running cold water and let it dry.
- Reinsert the brew unit carefully and lock by pressing down the red switch and turning the handle all the way to the right until it snaps into place.
- Close the service door and in doing so carefully place the pivots at the back of the door into the notches. Make sure that the door (fig. 1/L) completely snaps back into place.

5.8. Changing the filter

The filter will be flat after about 50 l of water have been drawn. The display shows “CHANGE FILTER”.

You can still make coffee, but we recommend changing the filter immediately.

- Turn the rotary control to “SETTINGS” and press it.

- Turn the rotary control to “FILTER” and press it.
- Turn the rotary control to “INSERT FILTER? YES”, so the appliance recognizes the new filter:
- Empty the water tank (fig. 1/F and 2) and unscrew the filter, using the integrated tool at the end of the measuring spoon (fig. 4).
- Discard the filter.
- Press the rotary control.

The display shows “INSERT FILTER” or “FILTER INSERTED” in case the filter has already been replaced.

- Screw in the new filter into the dedicated slot in the water tank, using the integrated tool at the end of the measuring spoon (fig. 4).

⚠ Note: Do not overtighten or bend the filter.

- Fill the tank with fresh water and insert it back in the appliance.
- Place a sufficiently large bowl (about 0.5 l) under the spout (fig. 1/E) and press the rotary control.

The system is now being rinsed. The display shows “FILTER RINSES”.

- After a short while no more water is dispersed from the spout.

The system reheats and the appliance is ready for use again. The display shows the main menu.

⚠ Attention: The filter needs changing after a maximum of two months if the appliance is not in regular use. The display will show no status message. Use the dial (by the month) at the top of the filter to select the date of change.

5.9. Maintenance status

The appliance will show you if cleaning or descaling are imminent.

- Turn the rotary control to “MAINTENANCE” and press it.
- Turn the rotary control to “MAINTENANCE STATUS” and press it.

The display shows:

“CLEANING SYSTEM”

“CLEANING LATER”

“DESCALING”

The respective bar will show you if cleaning or descaling are imminent. The further to the right it progresses, the sooner one or both need to be done.

⚠ Note: Please clean and descale regularly, at the latest when the display asks you to! Otherwise your warranty could be compromised.

6. System reports

Report	Cause	Solution
Fill system	Refill pipe system	→ Press rotary control
	Filter possible defect	→ Remove or replace filter (see 5.8.)
Fill water	Water tank is empty	→ Fill water tank
	Water tank not inserted or inserted incorrectly	→ Reinsert water tank correctly (see 2.3.)
Fill beans	No beans	→ Fill beans (see 2.3.)
	Beans stick	→ Stir beans with a spoon → Clean bean container with a cloth
Note: The display „FILL BEANS” only goes out after the next cup of coffee!		
Empty trays	Drip tray and/or used coffee container full or contacts damp	→ Empty drip tray and/or used coffee container, clean and dry contacts
No trays	No drip tray with used coffee container or incorrectly inserted or contacts are damp	→ Reinsert drip tray with used coffee container → Clean and dry contacts
Cleaning necessary	System cleaning necessary	→ Clean system (see 5.4.)
Descaling necessary	System descaling necessary	→ Descale system (see 5.5.)
Change filter	Filter exhausted	→ Change filter (see 5.8.)
Brew unit missing	Brew unit fitted incorrectly	→ Fit brew unit correctly und snap into place (see 5.7.)

7. Problem solving

Fault	Cause	Solution
No hot water or steam	Blocked frother (fig. 11)	→ Dismantle and thoroughly clean frother (fig. 11)
Not enough milk froth or liquid froth	System may be calcified	→ Please run a high dosage of descaler (see 5.5.)
	Unsuitable milk Blocked frother (fig. 11)	→ Use cold milk → Dismantle and thoroughly clean frother (fig. 11)
Coffee only drips	System may be calcified	→ Please run a high dosage of descaler (see 5.5.)
	Coffee is too finely ground	→ Set the grinder on a coarser setting (see 4.6.)
	Coffee powder too fine	→ Change to coarser coffee powder
No “crema” on the coffee	System may be calcified	→ Please run a high dosage of descaler (see 5.5.)
	Unsuitable coffee beans Beans may be too old	→ Change coffee beans → Change to fresh beans
Loud noise from coffee grinder	Grinding coarseness not adjusted to beans	→ Optimize grinding coarseness
	Foreign matter in grinder, e.g. small stones	→ Call service hotline, ground coffee can still be made
The display shows error 8 Service Tel	Incorrectly fitted brew unit	→ Dismantle brew unit and clean (see 5.7.)

If you are unable to correct a fault / system message yourself, call the national service hotline – please consult the notes in the accompanying guarantee and customer service information booklet.

⚠ Caution: If the display reads „Error / Service-Tel.“, note the code. Switch off and unplug the machine. Call the national service hotline.

8. Replacement parts/Accessories

Fresh water filters NIRF 700:

New fresh water filters are available from well-stocked local dealers or directly from us.

Cleaning tabs NIRT 701:

New cleaning tabs are available from well-stocked local dealers or directly from us.

Descaling agent NIRK 703:

New descaling agents are available from well-stocked local dealers or directly from us.

Special milk residue cleaner NICC 705:

Special milk residue cleaner is available from well-stocked local dealers or directly from us.

Milk Cooler NICT 500:

The top-quality stainless steel milk cooler keeps milk „fridge cold“ for a long time and delivers the best frothing results.

Milk Container NIMC 900:

Milk Container is made from transparent synthetic material to show the filling level at a glance.

Milk pipe NIMA 330:

Three replacement pipes for NIVONA models with OneTouch Spumatore.

9. Customer service, guarantee, environmental protection**Customer service**

NIVONA products are manufactured to the highest quality standards. Should any question arise with regards to your appliance, please do not hesitate to write to us. Only with your active support will we be able to improve our products and further develop them, so that they will fully satisfy your demand.

Steaming off the appliance

In the event that you need to ship your faulty appliance directly to us, please make sure that no residual water remains in the system:

- Switch the appliance on using the main switch (fig. 1/H).
- Follow the instructions on the display.
- Turn the rotary control to “MAINTENANCE” and press it.
- Turn the rotary control to “EMPTY SYSTEM” and press it.

The display shows “REMOVE WATER TANK”.

- Remove the water tank (fig. 2).

The display shows “HOSE TO SPOUT AND DRIP TRAY”.

- Connect the hose to the spout (fig. 7).
- Connect the other end to the drip tray (fig. 10).
- Place a sufficiently large bowl (about 0.5 l) under the spout.
- Press rotary control to confirm.

The display shows “EMPTYING OF WATER DO NOT REMOVE HOSE”.

The appliance is now steaming off and will switch off automatically.

- Remove the drip tray with used coffee container (fig. 1/N and 1/O), and empty both.
- Reinsert empty water tank, drip tray and used coffee container.

Your appliance is now ready for shipment.

i Note: Please make sure that you pack the appliance very carefully before shipping, ideally in the original packaging. The manufacturer will assume no liabilities for damage in transit.

Guarantee and customer service terms and conditions

Please find detailed information about guarantee and customer service terms and conditions in the accompanying document.

Please dispose of filters with domestic waste.**Disposal of your old appliance and packaging**

Please keep the original packaging. It will serve as protection should you need to ship the appliance in the event of a customer service issue.

Electrical and electronic appliances often contain valuable, but sometimes also environmentally damaging material and should therefore not be disposed of as normal household waste. They may damage human health and harm the environment when handled or left among residual waste. Therefore please drop your old or irreparably damaged appliance at your local community waste collection/recycling centre.

Further information is available from the dealer where you bought the appliance, your town hall or waste collector.

10. Technical data

Voltage 220 - 240V AC, 50/60 Hz

Power consumption 1465 W

NIVONA Apparate GmbH
Südwestpark 90
D-90449 Nürnberg
www.nivona.com

© 2017 by NIVONA